

Type No. 410-061-011



MEGA-Line
RACING ELECTRONIC GmbH
Haunersdorfer Str.3
D - 93342 Saal a.d. Donau

Germany

Phone: +49 (0) 9441 6866 - 0
Fax: +49 (0) 9441 6866 - 11

Mail: info@mega-line.com
Web: www.mega-line.com

Description / features

The shift cylinder is a 2 - way actuator used for pushing / pulling the gearbox lever.
Pressure inlets are Dash 4.
Stroke is fixed at ± 13.5 mm.

Technical specifications

Mechanical data:

Dimensions L x W x H

approx. 176 x 42 x 57 mm

Weight

approx. 210 g

Fitting for air pressure 'push'

Dash4

Fitting for air pressure 'pull'

Dash4

Mode of operation

push / pull

Stroke pushing

+13.5 - 0.3 mm

pulling

-13.5 + 0.3 mm

Force

570N @ 6 bar

Pneumatic data:

Max. operating pressure

6 - 8 bar

Temperature range:

Ambient (min/max)

0 .. +100°C

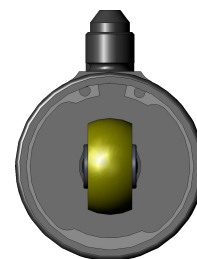
Ordering information:

Article no.

410-061-011

Order no.

7328



SHIFT CYLINDER

Type No. 410-061-011



MEGA-Line
RACING ELECTRONIC GmbH
Haunersdorfer Str.3
D - 93342 Saal a.d. Donau

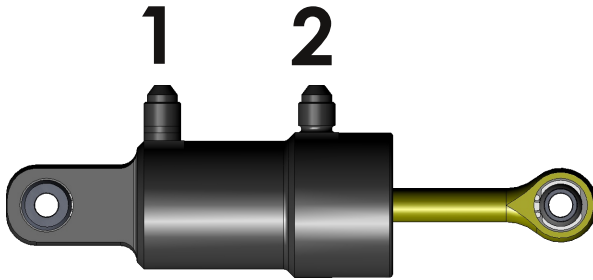
Germany

Phone: +49 (0) 9441 6866 - 0
Fax: +49 (0) 9441 6866 - 11

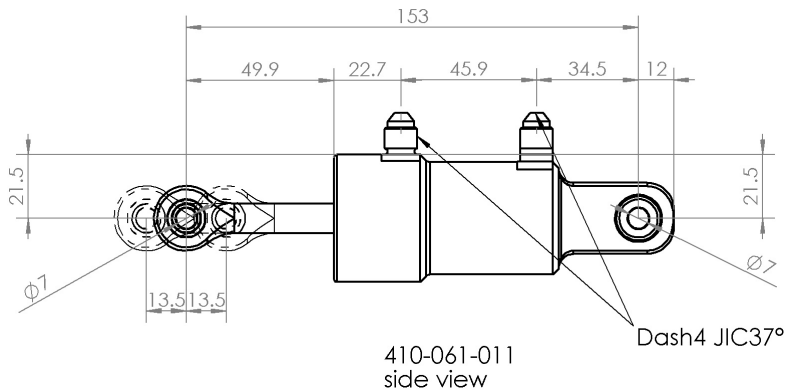
Mail: info@mega-line.com
Web: www.mega-line.com

Port description (pneumatic)

Port	Function	Dimension	max.torque [Ncm]
1	Air pressure PUSH	Dash4	1000
2	Air pressure PULL	Dash4	1000



Assembly dimensions



Mechanical dimensions

