

## Type No 359-142-011

### Description / features

The car sensor is an optional part of the CLS. The sensor detects the arrival of the car and also its departure. This is used specifically for data logging to monitor the quality of the tyre change but also the time to 'stop and go'.

The measurement range of the sensor is individual adjustable.

### Technical specifications

#### General data:

Measurement range 80 ... 1600 mm

#### Electronic data:

Operating voltage 15 - 30 V DC

Operating current approx. 40 mA

#### Mechanical data:

Dimensions sensor D x L approx.  $\varnothing$ 18 x 107 mm

Weight approx. 52 g

Dimensions sensor with cable D x L approx.  $\varnothing$  18 x 2097 mm

Weight approx. 177 g

#### Connector:

Deutsch 5 pin ASL606-05PN

Length cable 2 m

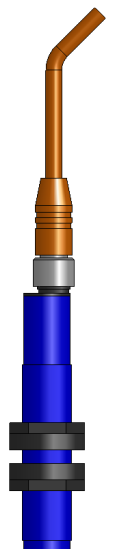
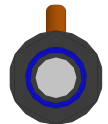
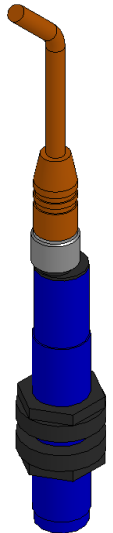
#### Temperature range

Ambient (min/max) -20 ... +70 °C

#### Ordering information:

Article no. 359-142-011

Order no. 9370



## Type No 359-142-011

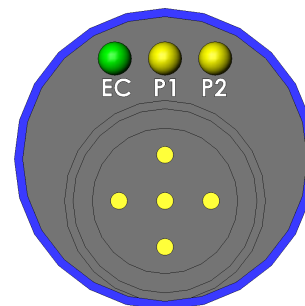
### Pin assignment

Pin	Function	Dia [AWG]	Type
1	Vcc	22	pwr
2	GND	22	pwr
3	Signal ultrasonic	22	Signal
4	Teach-In 1	22	Signal
5	Teach-In 2	22	Signal

### Modes of operation

#### Standard mode:

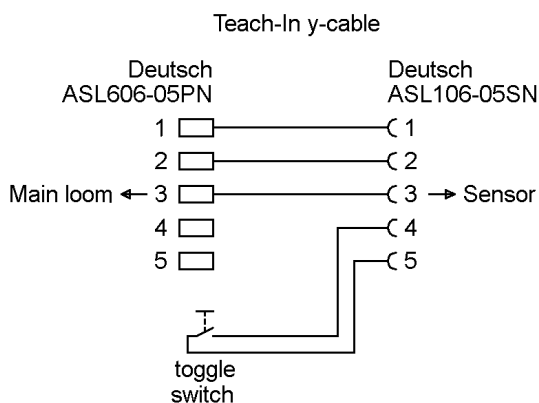
- LED sequence: Echo EC, position P1, position P2
- LED EC (green): Illuminates if the echo is received (orientation help).
- LED P1 + P2 (yellow): Illuminates each time an object is not found between P1 and P2.
- Teach-In 1 + 2: not used
- The sensor has an output signal of 4 ... 20 mA within the P1 and P2 thresholds.



#### Programming mode:

##### 1. General

- To program the sensors individually, a Y cable, with switch button as depicted in the following image is required between the sensor cable and the main wiring loom.
- The positions P1 and P2 can be programmed independently of one another.
- For the standard mode with CLS position must be 'P1 < P2'.



## Type No 359-142-011

### 2. Teach-In position P1

- Teach-In 1 + 2 using switch button connect till LED EC and P1 flash at 2 Hz (approx. 6-8 sec), then release button. During this procedure no objects should be in the measurement field.
- LED P1 now flashes at 1 Hz and LED EC functions. Bring the reference object in close proximity to the sensor and briefly activate the switch button. The sensor now works in standard mode with newly adjusted value for position P1.

### 3. Teach-In Position P2

- Teach-In 1 + 2 using switch button connect till LED EC and P2 flash at 2 Hz (approx. 15-16 seconds), then release button. During this procedure no objects should be in the measurement field.
- LED P2 now flashes at 1 Hz and LED EC functions. Bring the reference object in close proximity to the sensor and briefly activate the switch button. The sensor now works in standard mode with the newly adjusted value for position P2.

### 4. Teach-In save

- The sensor must be powered for 30 seconds in order to save the newly programmed positions.

## Mechanical dimensions

