

## Type No. 450-211-011



MEGA-Line  
RACING ELECTRONIC GmbH  
Haunersdorfer Str.3  
D - 93342 Saal a.d. Donau

Germany

Phone: +49 (0) 9441 6866 - 0  
Fax: +49 (0) 9441 6866 - 11

Email: info@mega-line.com  
Web: www.mega-line.com

### Description / features

The central unit is the heart of the MEGA-Line AGS, which includes the electronic control system and the compressor with reservoir. One hose supplies an external actuator (including the shift valves) with air. For a complete gearshift system, shift cylinder, blip actuator and shift paddles have to be added.

Communication with other electronic systems is made via CAN Bus. Parameters can be modified via an USB interface.

### Technical specifications

#### Electronic data:

Operating voltage	13.5V nom.
Operating current (electronic)	approx. 400mA
Operating current (compressor)	approx. 10A @ 30% duty cycle

#### Mechanical data:

Dimensions L x W x H	approx. 166 x 65 x 156 mm
Weight	approx. 1800 g
Fitting for air pressure outlet	Dash6

#### Pneumatic data:

Max. operating pressure	6 - 8 bar
-------------------------	-----------

#### Connector:

Deutsch 37 pin	AS214-35PN
----------------	------------

#### Temperature range:

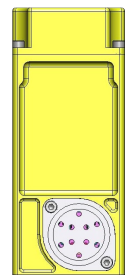
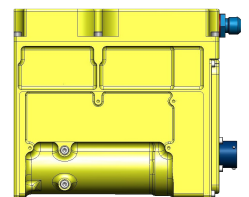
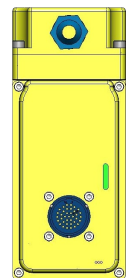
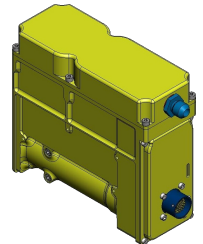
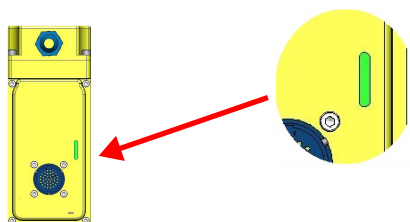
Ambient (min/max)	0 .. +65°C
-------------------	------------

#### Ordering information:

Article no.	450-211-011
Order no.	6806

### Status indication

Life LED	white
Error LED	red

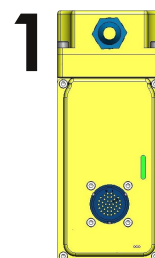


### Pin assignment (electric)

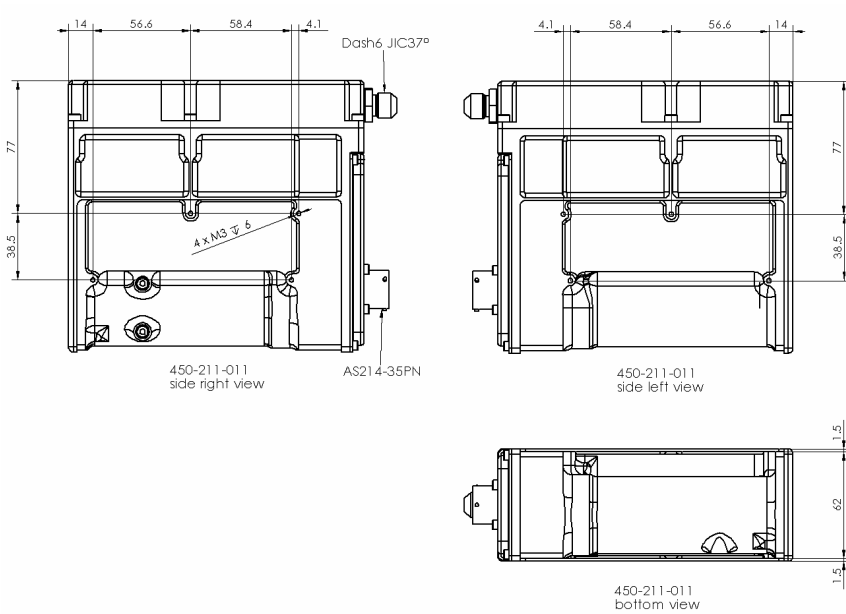
Pin	Function	Dia [AWG]	Type
1	power supply electronic	22	pwr
2	ground electronic	22	pwr
3	valve up	22	digital out
4	valve down	22	digital out
5	nc	-	-
6	emergency indicator	26	digital out
7	power supply compressor	22	pwr
8	power supply compressor	22	pwr
9	ground compressorr	22	pwr
10	ground compressor	22	pwr
11	nc	-	-
12	CAN1 high	26	data
13	CAN1 low	26	data
14	CAN2 high	26	data
15	CAN2 low	26	data
16	USB +	26	data
17	USB -	26	data
18	paddle up	22	digital in
19	paddle down	22	digital in
20	emergency switch	22	digital in
21	neutral button	22	digital in
22	reverse button	22	digital in
23	Unit ID	26	digital in
24	+5V_sensor_clutch	22	pwr
25	ID data	26	data
26	pressure up sensor	26	analog in
27	pressure down sensor	26	analog in
28	nc	-	-
29	pressure/travel clutch	26	analog in
30	nc	-	-
31	nc	-	-
32	Unit select [master/slave]	26	analog in
33	nc	-	-
34	nc	-	-
35	gearpot supply	22	pwr
36	gearpot gnd	22	pwr
37	gearpot	22	analog in

### Port description (pneumatic)

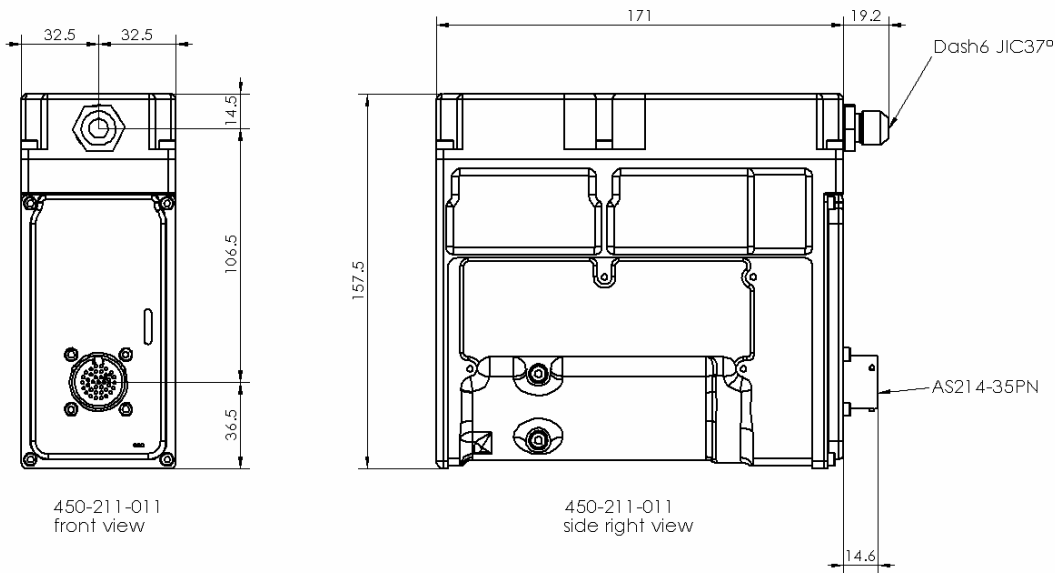
Port	Function	Dimension	max.torque [Ncm]
1	Air pressure outlet	Dash6	1200



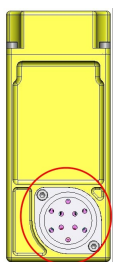
### Assembly dimensions



### Mechanical dimensions



### Attention!



Both - compressor air inlet and pressure balance orifice must not be covered or restricted in any way!

